

TECSUN

RADIOS AUSTRALIA

24/9 Powells Road, Brookvale NSW Australia 2100

hello@tecsunradios.com.au

www.tecsunradios.com.au



English

DAB+/FM Digital Radio Receiver

User Manual





Safety Instructions:

1. Do not use this radio near water.
2. Clean with dry cloth.
3. Do not block any ventilation openings.
4. Do not use near heat objects.
5. Use accessories provided by manufacturer.
6. Do not allow this unit to be exposed to water, steam, sand or other environmental hazards.
7. Do not leave your radio where excessive heat could cause damage such as expose to direct sunlight in a

parked car where the heat from the sun can easily build up to extreme levels and damage the unit

Specification:

Model: DTR-762

Radio: Digital DAB+ & FM

Dimension: 113x69x25mm

Weight(Net): Approx. 120g (Included battery)

DAB+ Frequency: Band III

(174.0-239.0MHz)

FM Frequency: 87.5-108MHz with RDS

Number of Presets: 99 for DAB+ and 30 for FM

Speaker: 4 Ω 1.5W (RMS)

Output Power: 32Ω 0.1W (headphone)

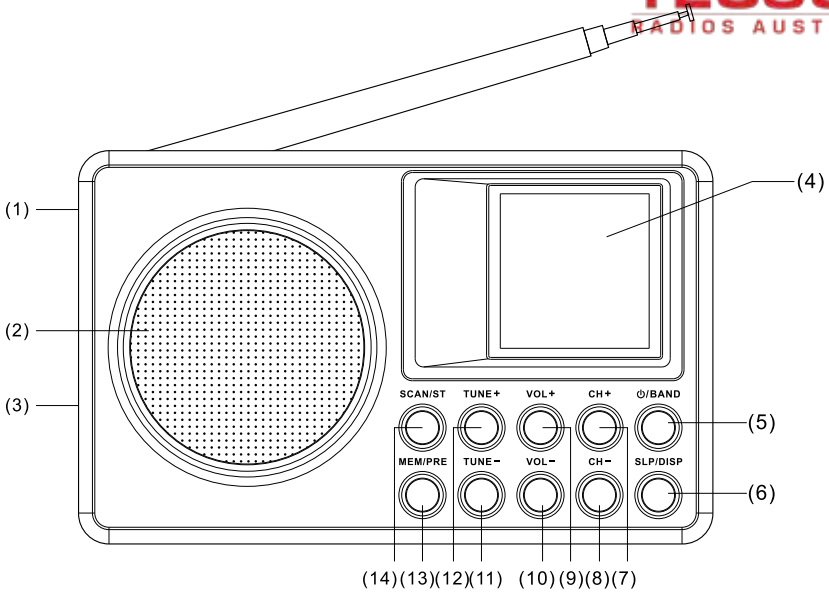
Power Source: DC Adaptors (5V, 0.5A)

Charging Time: Approx. 7 Hours

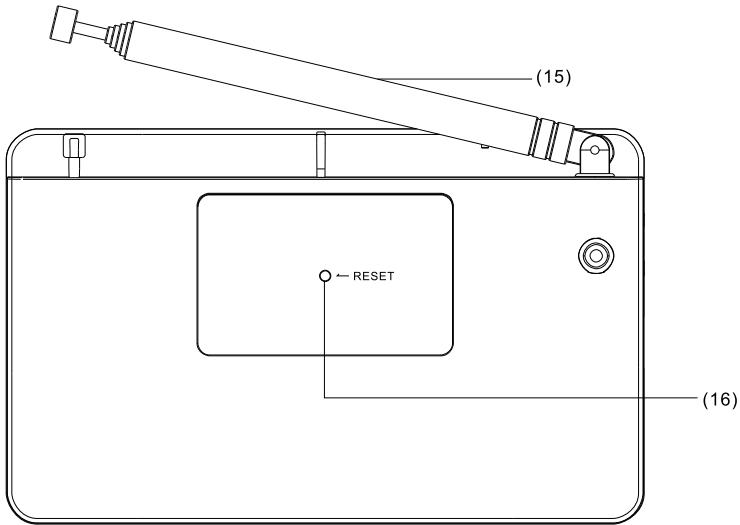
Usage Time: Approx 10Hours (Speaker mode) / 18Hours (Headphone mode)

Approvals: CE marked. RoHS marked.

Compliant with the EMC and Low Voltage Directives (2004/108/EC and 2006/95/EC), ETSI EN300 401 compliant



(Front)



(Back)

CONTROLS:

- (1) Ear Phone Jack
- (2) Speaker
- (3) Charge Socket
- (4) LCD Display
- (5) Power/Band Button
- (6) Sleep/Display(Backlight)Button
- (7) Channel+ Button
- (8) Channel- Button
- (9) Volume+ Button
- (10) Volume- Button
- (11) Tune- Button
- (12) Tune+ Button
- (13) Memory/Preset Button
- (14) Scan/Stereo or Mono Button
- (15) Telescopic Antenna
- (16) Reset

Charging the radio:

The DTR-762 features a 3.7V, 2000mAh rechargeable Lithium battery.

The DTR-762 is supplied with a USB power cable for charging.

Before first time to operate, please fully charge the battery.

1. Plug the USB power cable into the socket of the radio, connect USB to power supply such as computer or USB DC adaptors.
2. The radio will begin charging the battery. Charging time is approximately 7 hours.
3. The charging icon will flash during charging and stop charging when the radio is fully charged.

Speaker:

The DTR-762 features a high-quality 4 Ω 2W speaker.

Headphones:

The DTR-762 features a pair of high-quality earpieces.

The 3.5mm jack is located on the left-hand side of the radio, it is provided for use with stereo headphones or earpieces.

Important:

Excessive volume from earpieces or headphone may cause damage to your ears.

Operating your radio:

1. Make sure the battery is charged.
2. Press and hold the “ ⏻ /BAND ” button to turn on the radio.
3. The display will show ‘CORUS’ logo and enter DAB mode (or FM mode if you selected FM before turning off).
4. Adjust the volume to comfortable level (Volume Level: 0-32).

DAB+/FM Band Select:

1. Press “ ⏻ /BAND ” button to select DAB+ or FM mode.
2. When you turn off the radio, band mode will be memorized.

Search and select channels : DAB+ mode

1. Make sure the radio is in DAB+ mode.
2. Press once the “SCAN/ST” button to activate the quick scan function.
3. Press and hold the “SCAN/ST” button to activate the full scan of all available radio channels and all the scanned channels will be saved in a channel list.
4. Press the “CH+” or “CH-” button to select the desired channels from the list.

Presets: DAB+ mode

1. Press and hold the “MEM/PRE” button, then “Null Memory 01” will show on the display if the position is empty whereas it will show the name of the channel if it is already occupied. Press the “CH+” or “CH-” button to select the position to save, then press “MEM/PRE” button again to confirm.
2. To play the preset channels, press once the “MEM/PRE” button and select the preset channel(the name of channel will be displayed) by pressing the “CH+” or “CH-” button, then press “MEM/PRE” button again to confirm.

3. Max. 99 preset channels for DAB+ radio mode.

Service Information: DAB+ mode

The Service Information display -

Technical information on the current status of the station being broadcast

While listening to DAB+, the display will show the followings if applicable

1. Program type
2. Multiplex Name
3. Time
4. Channel Name
5. Frequency
6. Volume level
7. Signal Strength

Search and select channels : FM mode

1. Press and hold the “ ⏻ /BAND ” button to turn on the radio.
2. Press once the “ ⏻ /BAND ” button to switch to FM Mode.
3. Press and hold “TUNE+” and “TUNE-” to search the nearest channel automatically.

Changing audio mode:

1. Press once the “SCAN/ST” button to change Stereo or Mono audio mode, “ST” will be displayed when Stereo mode is selected.

Manual tuning: FM mode

1. Press once the “TUNE+” or TUNE-” button to search the channel manually.

Service Information: FM mode

While listening to FM radio, the display will show the followings if applicable

1. Program type
2. Frequency
3. Channel Name
4. Volume level
5. Signal Strength
6. Stereo / Mono

Presets: FM mode

1. Press and hold the “MEM/PRE” button, then “Null Memory 01” will show on the display, press the “CH +” or “CH -” button to select the position to save, then press “MEM/PRE” button again to confirm.
2. To play the preset channel, press once the “MEM/PRE” button and select the preset station by press the “CH +” or “CH -” button, then press “MEM/PRE” button again to confirm.
3. Max. 30 preset channels for FM radio mode.

Radio Antenna:

1. For DAB+ and FM reception there is a built-in telescopic antenna at the rear of the unit.
2. Extend the antenna and move it around to obtain the best reception.
3. If the reception is still unsatisfactory, pull the antenna as long as possible.

Sleep mode:

1. In the DAB+ or FM Mode, press “SLP/DISP” button will activate the sleep function. - The initial sleep time is 5 minutes, each press will increase 5 minutes (from 5 minutes to OFF), sleep time in red will be shown on the middle top of the display.

2. Press the “SLP/DISP” button until the sleep time in red disappeared to cancel the sleep function.
3. The radio will be powered off when the timer reduces to 0 of sleep time.

Select Language:

1. Set the display language.
2. Press and hold the “MEM/PRE” and “VOL+” button simultaneously, then “ LANGUAGE ” menu will show on the display, press the “CH+” or “CH-” button to select Language.
3. Press once the “SLP/DISP” button to save.

Backlighting:

1. Set how long backlighting remains on.
2. Press and hold the “SLP/DISP” button, then “BACKLIGHT” menu will show on the display, press the “CH+” or “CH-” button to select backlight timeout period.
3. Press once the “SLP/DISP” button to save.

Soft Reset:

1. If the device does not function or you experience some sluggishness with your device, you can press “RESET” button at the back of the device with thin-shaped insulator(such as toothpick) to restart the device.

Factory Reset:

1. Press and hold the “SLP/DISP” button and press the “SCAN/ST” button at the same time to activate the factory reset function.
2. Factory reset function will clear all the preset radio channels.

Power Off and Maintenance:

1. Please shut down the power when not in use.
2. Please do not wipe it with rough materials.
3. Please do not attempt to open the product or change inner parameter.

*Information of this user manual is subject to change without prior notice.

TECSUN

RADIOS AUSTRALIA

24/9 Powells Road, Brookvale NSW Australia 2100

hello@tecsunradios.com.au

www.tecsunradios.com.au

