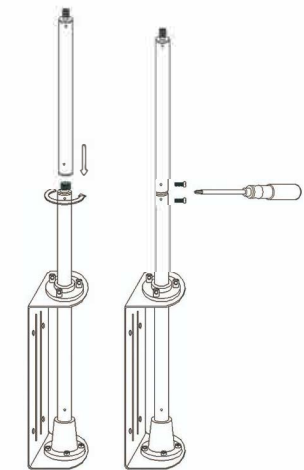
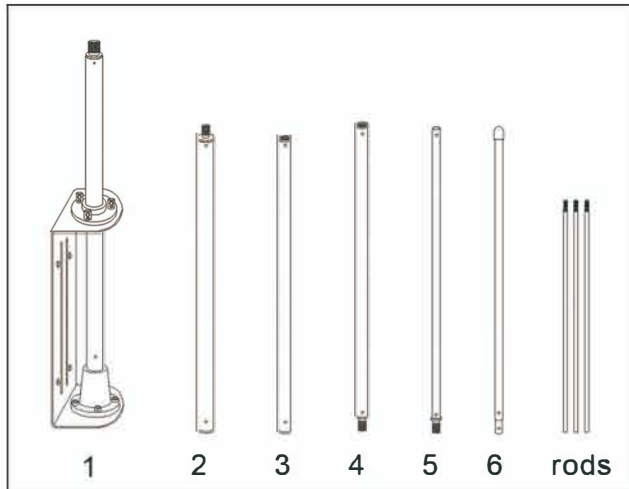


Tecsun Radios Australia Q5009 28 Mhz Base Station Antenna

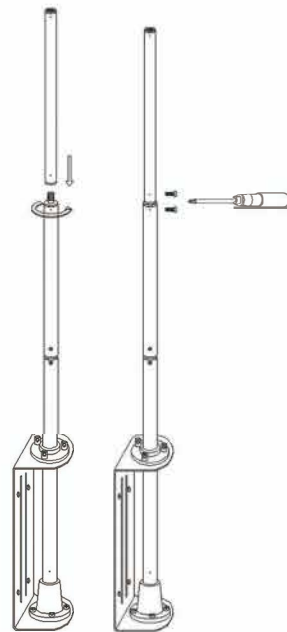
This is a half wave antenna for the 10 metre amateur band. The centre frequency has been adjusted to 28.875 Mhz to provide symmetrical bandwidth across the entire 28.000-29.700 Mhz band. Best results will be achieved when the base of this antenna is at least 2m above the ground. It is also good practice to install an earth rod adjacent to the mast/pipe on which this antenna is mounted and make a metallic connection using earth clamps, wire and lug assembly and a self tapping screw through the wall of the pipe.

Model	Q5009
Frequency Range	28.00-29.70MHz
Gain	3.5dBi
Polarization	Vertical
VSWR	≤1.5
Radiation	Omni Directional
Impedance	50Ω
Maximum Power Input-watts	100W
Lighting Protection	Direct Ground
Connector	SO239
Length	5.9 metres
Material	Aluminium Alloy, Copper
Mounting	2 x U bolts
Working Temperature	-40~80°C
Weight	1.7~2.3KG

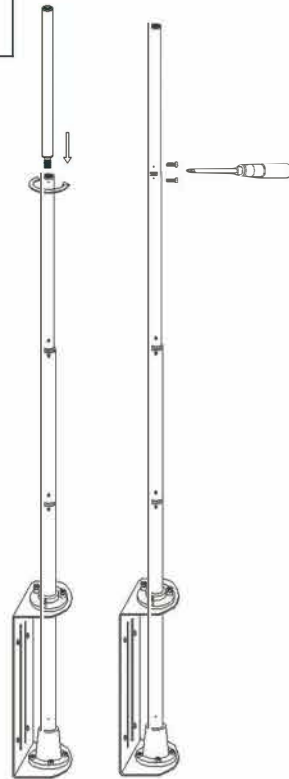
Tecsun Radios Australia Q5009 Base Station Antenna Installation Instructions



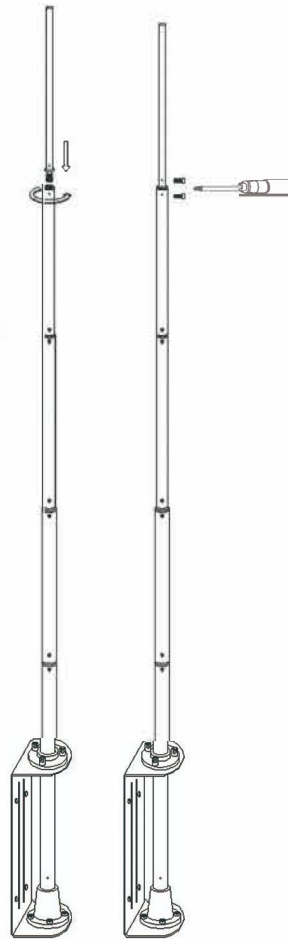
1. Rotate the base and the 2nd section, secure with the screws.



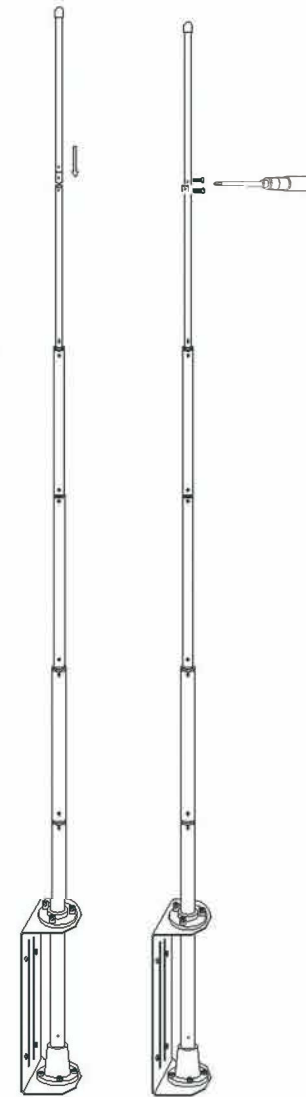
2. Rotate the 3rd section to the 2nd section, secure the screws.



3. Rotate the 4th section to the 3rd section, secure the screws.

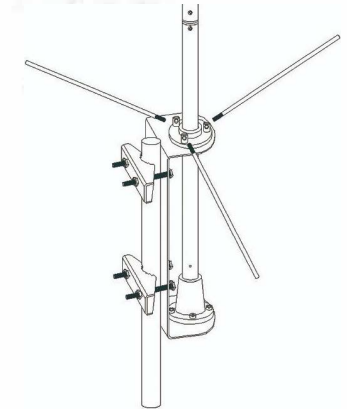


4. Rotate the 5th section to the 4th section, secure the screws.

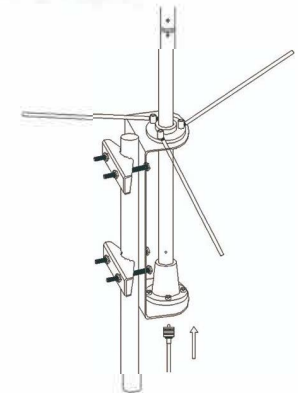


5. Rotate the 6th section to the 5th section, secure the screws.

6. Mount the U bolts to the bracket and supporting mast.



7. Tighten the U bolt nuts to fix the position, then screw the 3 counterpoise rods as the drawing.



8. Connect your cable to the SO239 connector.